

Emerald Series Console with Rail

General Specifications:

The console unit with rail has a removable front assembly for ease of mounting to the back box. The unit shall include a light duty rail, which shall act as a simple, functional and economical solution to the various needs within the patient care environment.

The console with rail is supported by a galvanized steel bracket which shall be attached to the structural wall by means of four screws (not supplied Amico).

The medical gas piping terminates as capped ends 5" (127mm) above the console back box.

All specified devices are factory installed in the console back box. The electrical devices are separated by dividers, but they are not pre-wired.

NOTE: Exact dimensions are to be determined by the customer.

NOTE: A blank provision should be placed between medical gas outlets and vacuum bottle slide holders and between 2 communication devices.

The console with rail is UL Listed to U.S. and Canadian safety standards.

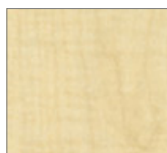
Amico products comply with NFPA-99.



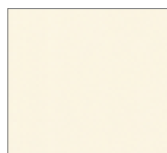
Custom Colors:



Wild Cherry



Fusion Maple



Antique White

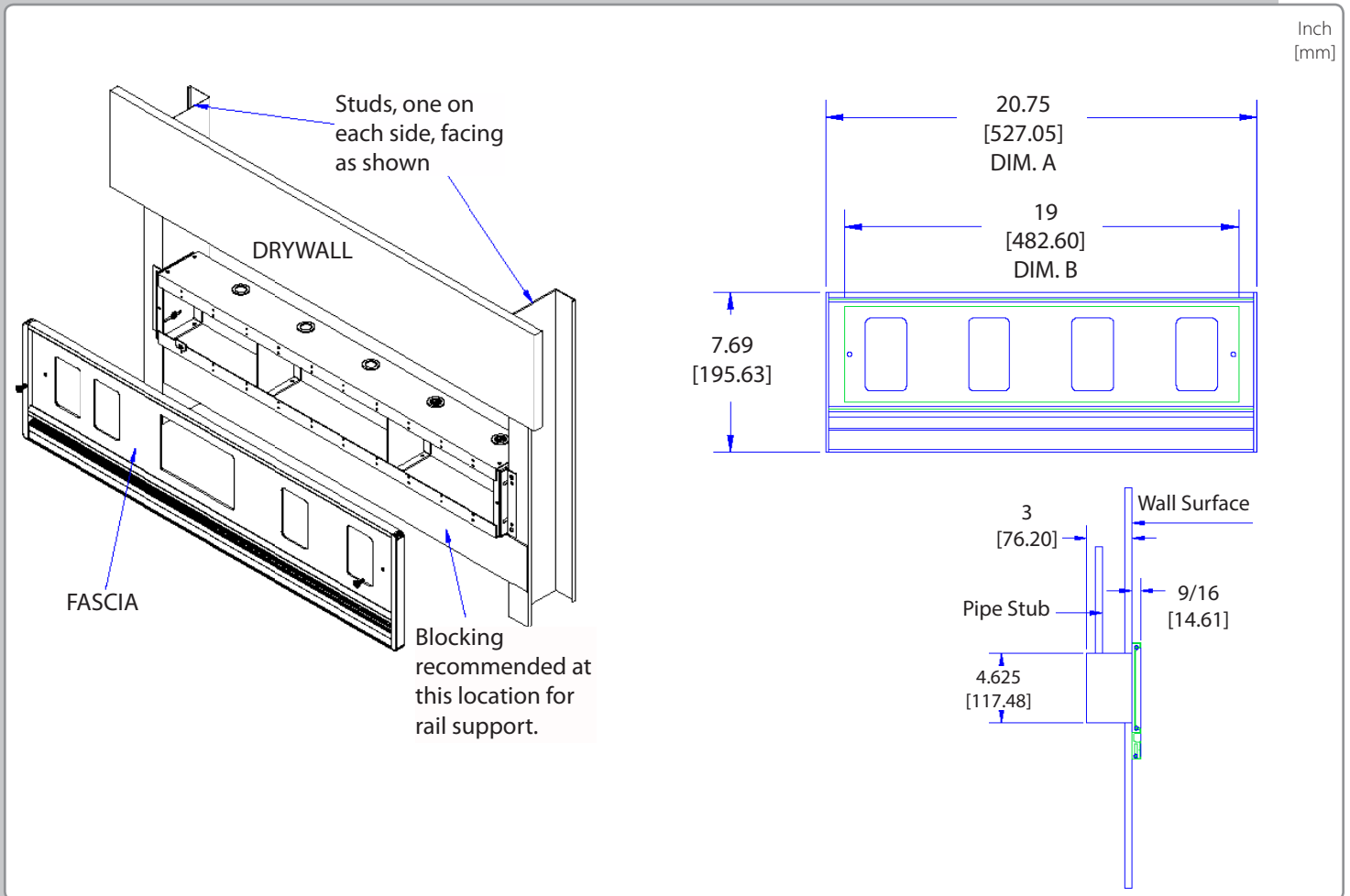
Features:

Removable front fascia for ease of maintenance and installation

Single cutout dimension for all accessories (outlets & electrical devices) are on a 2.5" (63.5mm) center

Aluminium rail to attach light weight accessories

Emerald Series Console with Rail



Model Number

E-CON-XXR

The Letters "XX" Represents the Number of Gangs

# of gangs	3	5	7	9	11	13	15	17	19	21	23
DIM-"A" length of front	10.75" (273.05 mm)	15.75" (400.05 mm)	20.75" (527.5 mm)	25.75" (654.05 mm)	30.75" (781.05 mm)	35.75" (908.05 mm)	40.75" (1035.05 mm)	45.75" (1162.05 mm)	50.75" (1289.05 mm)	55.75" (1416.05 mm)	60.75" (1543.05 mm)
length "B" of back box	9" (229 mm)	14" (356 mm)	19" (483 mm)	24" (610 mm)	29" (737 mm)	34" (864 mm)	39" (991 mm)	44" (1118 mm)	49" (1245 mm)	54" (1372 mm)	59" (1499 mm)

Distributed By: **AA MED**
TECHNOLOGIES INC

Amico Corporation 85 Fulton Way, Richmond Hill, ON L4B 2N4, Canada | 71 East Industry Court, Deer Park, NY 11729, USA
Toll Free Tel: 1.877.462.6426 | Toll Free Fax: 1.866.440.4986 Tel: 905.764.0800 | Fax: 905.764.0862

www.amico.com

AC-SP-EMRLD-CNSL-RAIL PRINTED APR 12