



Wall Mount

The Magna 50 LED magnifier is the lighting solution for the precise examination of parts for a number of fields of application. The Magna 50 LED uses 48 innovative LEDs, providing critical added value compared to conventional fluorescents magnifiers: four times more light per watt, considerably lowering energy consumption. These LEDs offer a minimum of 50,000 hours of operating life at 100% brightness level – maintenance free for over six years running 24/7!

Features:

Connected Load: 100-240V; 50/60 Hz

Fitted With: 48 x Light-emitting diode light color neutral white, 3700-4000 K, color rendering index (CRI)=90

Work Equipment: Electronic plug-in transformer

Mains Lead: Approx. 7.5ft (2.3m)

Luminaire body Material: Aluminum / plastic

Tubular Sections Material: Tubular aluminum section anodized

Surface: Anodized

Weight (NET): Approx. 2.7lbs (1.2kg)

Fastening:

- Table mount included for table mounted lights
- Rail mount included for rail mounted lights
- Wall mount included for wall mounted lights
- Floor stand included for floor stand light

Technology: Multi stage switchable; continuously dimmable multi-functional switch

Usage: Multi-function switch

Lamp Cover: Acrylic clear

Class Of Protection: II

Color Luminaire Body: Black

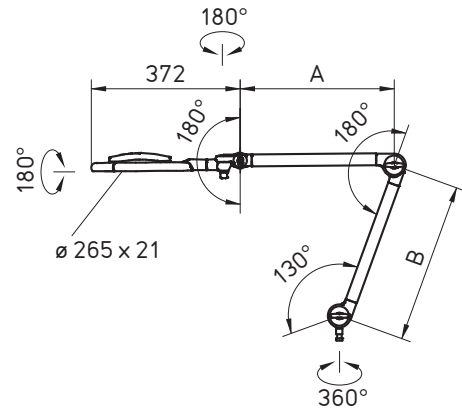
Color Of Tubular Sections: Silver metallic

Lens; Dimensions: ø 160 mm (6.3")

Lens; Diopters: 3.5

Add-On Lens: Not available

Dimensions



Model Examples

L-MA50-AB-RH-A	Magna 50, Articulating Arm, Basic, Rail Mount, Horizontal, Amico Rail
L-MA50-AB-W	Magna 50, Articulating Arm, Basic, Wall Mount
L-MA50-AE-F	Magna 50, Articulating Arm with Extension, Floor Stand
L-MA50-AE-T	Magna 50, Articulating Arm with Extension, Table Mount

NOTE: North American: 120 V; International: 230 V

Ordering Guide

